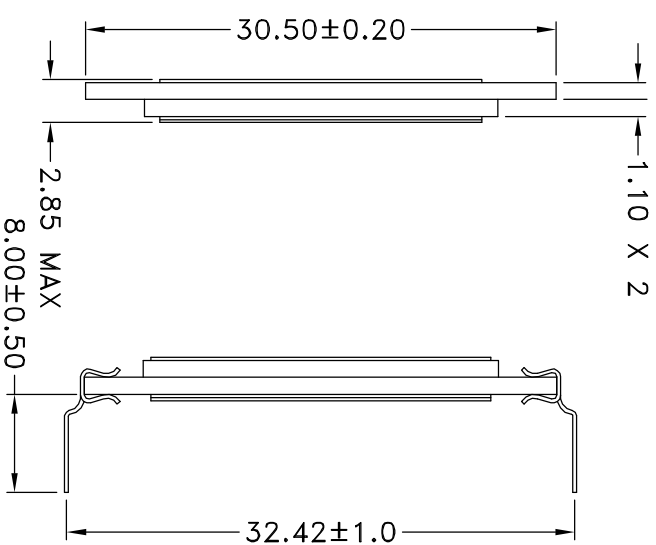
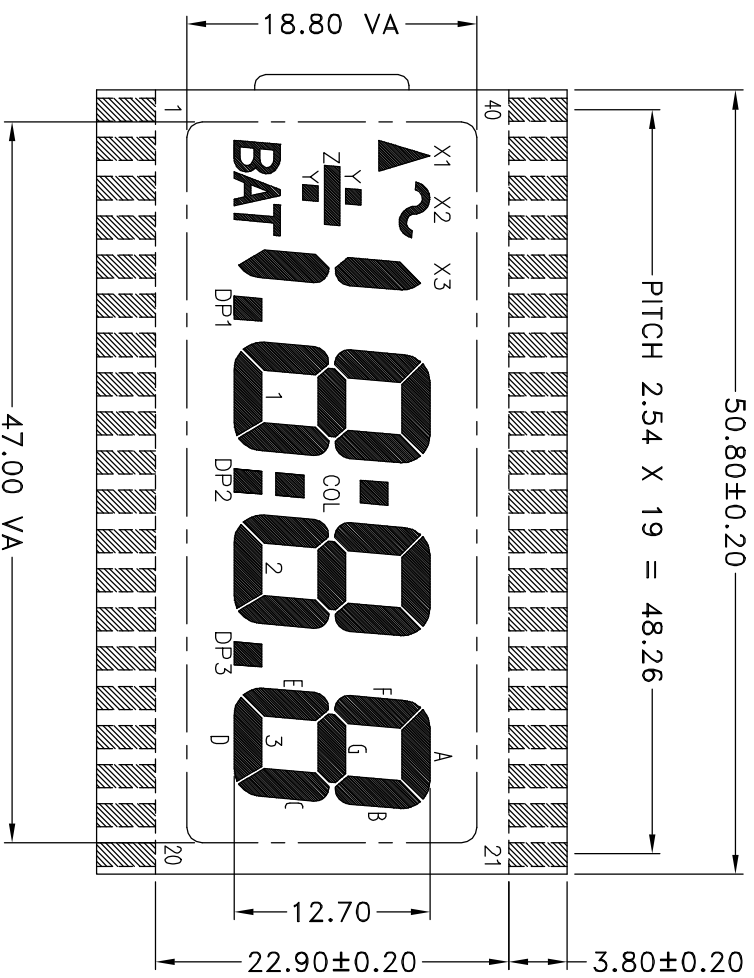


096



ELASTOMER TYPE PIN TYPE

1	2	3	4	5	6	7	8	9	10	11	12	13	14	15	16	17	18	19	20
COM	Y	X3					DP1	1E	1D	1C	DP2	2E	2D	2C	DP3	3E	3D	3C	3B
21	22	23	24	25	26	27	28	29	30	31	32	33	34	35	36	37	38	39	40
3A	3F	3G	2B	2A	2F	2G	COL	1B	1A	1F	1G					X2	X1	Z	BAT

NOTES :

1. LCD MODE : TN
2. OPERATING VOLTAGE : 3.0V
3. DRIVE METHOD : STATIC
4. VIEW DIRECTION : 6 / 12 O'CLOCK
5. OPERATING TEMP : NORMAL : -10°C TO 60°C, WIDE : -30°C TO 80°C
6. STORAGE TEMP : NORMAL : -20°C TO 70°C, WIDE : -40°C TO 85°C
7. POLARIZER MODE : REFLECTIVE / TRANSMISSIVE / TRANSMISSIVE

VERSION : 1

Displaytech Ltd

email : sales@displaytech.com.hk

Fax : +852 2722 6998