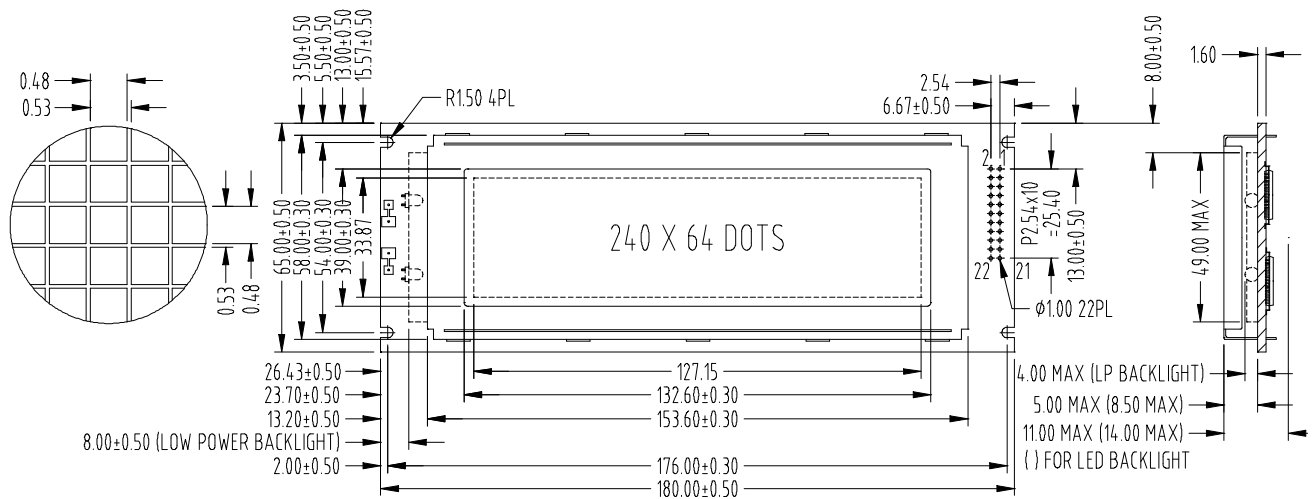


■ PHYSICAL DATA

Item	Contents	Unit
LCD type	STN / FSTN	---
LCD duty	1/64	---
LCD bias	1/9	---
Viewing direction	6 / 12	o'clock
Module size (W×H×T)	180 × 65 × 11.0 MAX (14.0 MAX W/LED BACKLIGHT)	mm
Viewing area (W×H)	132.6 × 39	mm
Number of dots	240 × 64	dots
Dot size (W×H)	0.48 × 0.48	mm
Dot pitch (W×H)	0.53 × 0.53	mm

■ EXTERNAL DIMENSIONS



■ BLOCK DIAGRAM

