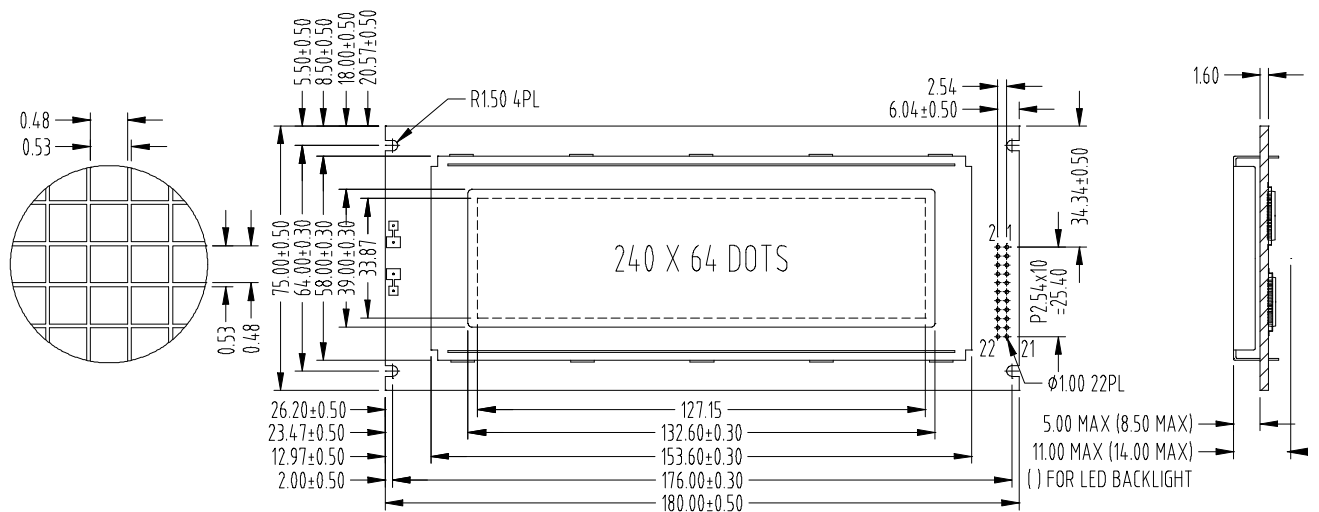


■ PHYSICAL DATA

Item	Contents	Unit
LCD type	STN / FSTN	---
LCD duty	1/64	---
LCD bias	1/9	---
Viewing direction	6 / 12	o'clock
Module size (W H T)	180 75 11.0 MAX (14.0 MAX W/LED BACKLIGHT)	mm
Viewing area (W H)	132.6 39	mm
Number of dots	240 64	dots
Dot size (W H)	0.48 0.48	mm
Dot pitch (W H)	0.53 0.53	mm

■ EXTERNAL DIMENSIONS



■ BLOCK DIAGRAM

