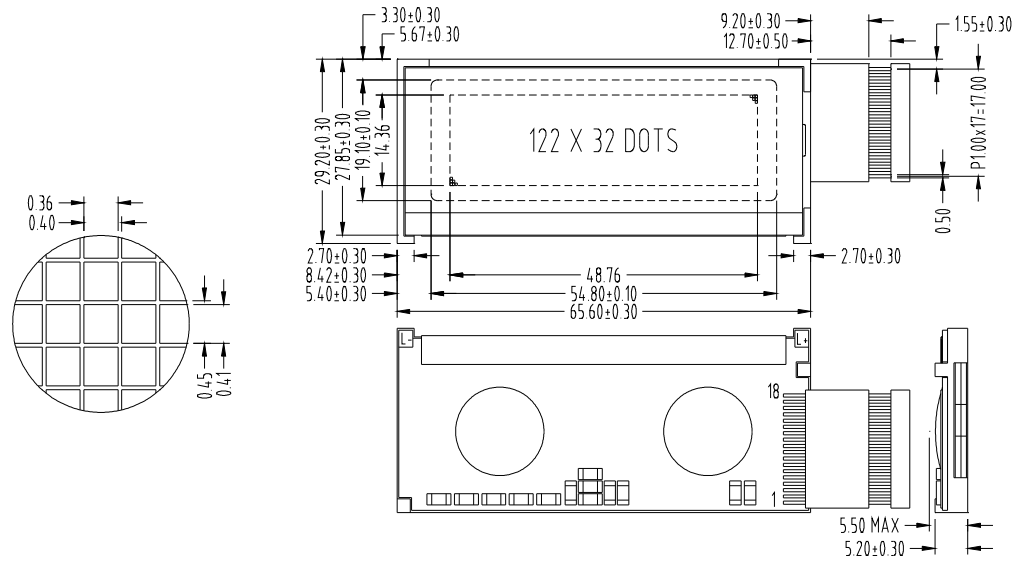


■ PHYSICAL DATA

Item	Contents	Unit
LCD type	STN / FSTN	---
LCD duty	1/32	---
LCD bias	1/5	---
Viewing direction	6 / 12	o'clock
Module size (W×H×T)	65.6 × 29.2 × 5.5MAX	mm
Viewing area (W×H)	54.8 × 19.1	mm
Number of dots	122 × 32	dots
Dot size (W×H)	0.36 × 0.41	mm
Dot pitch (W×H)	0.40 × 0.45	mm

■ EXTERNAL DIMENSIONS



■ BLOCK DIAGRAM

