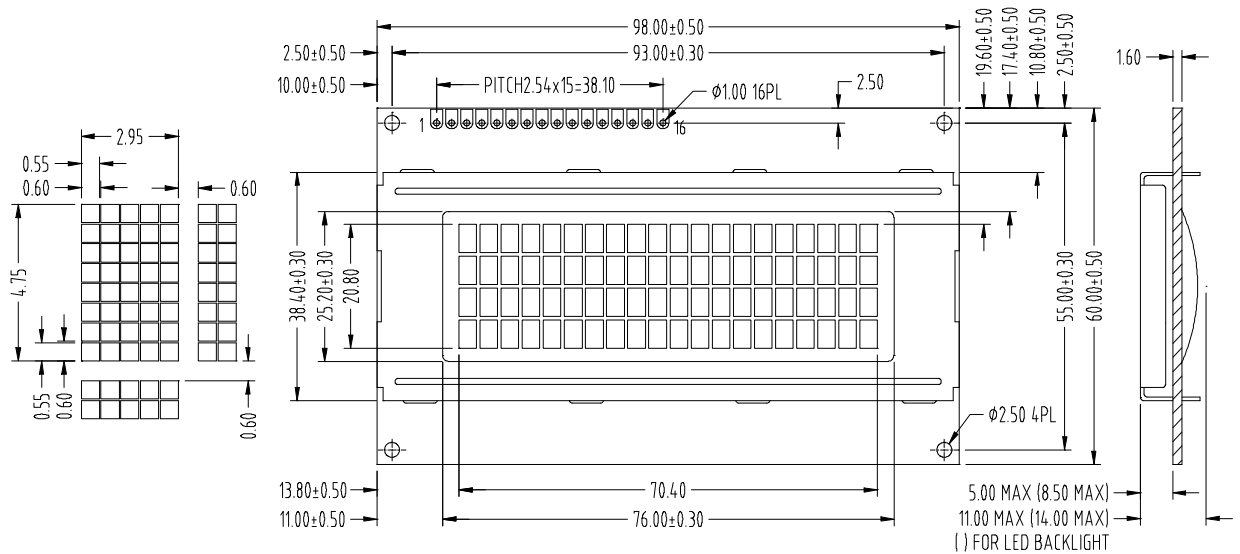


■ PHYSICAL DATA

| Item | Contents | Unit |
|---|---|---------|
| LCD type | TN / STN / FSTN | --- |
| LCD duty | 1/16 | --- |
| LCD bias | 1/5 | --- |
| Viewing direction | 6 / 12 | o'clock |
| Module size (W×H×T) | 98 × 60 × 11.0 MAX (14.0 MAX W/LED BACKLIGHT) | mm |
| Viewing area (W×H) | 76 × 25.2 | mm |
| Number of characters (characters×lines) | 20 × 4 | --- |
| Character matrix (W×H) | 5 × 8 | dots |
| Character size (W×H) | 3.55 × 5.35 | mm |
| Dot size (W×H) | 0.55 × 0.55 | mm |
| Dot pitch (W×H) | 0.60 × 0.60 | mm |

■ EXTERNAL DIMENSIONS



■ BLOCK DIAGRAM

