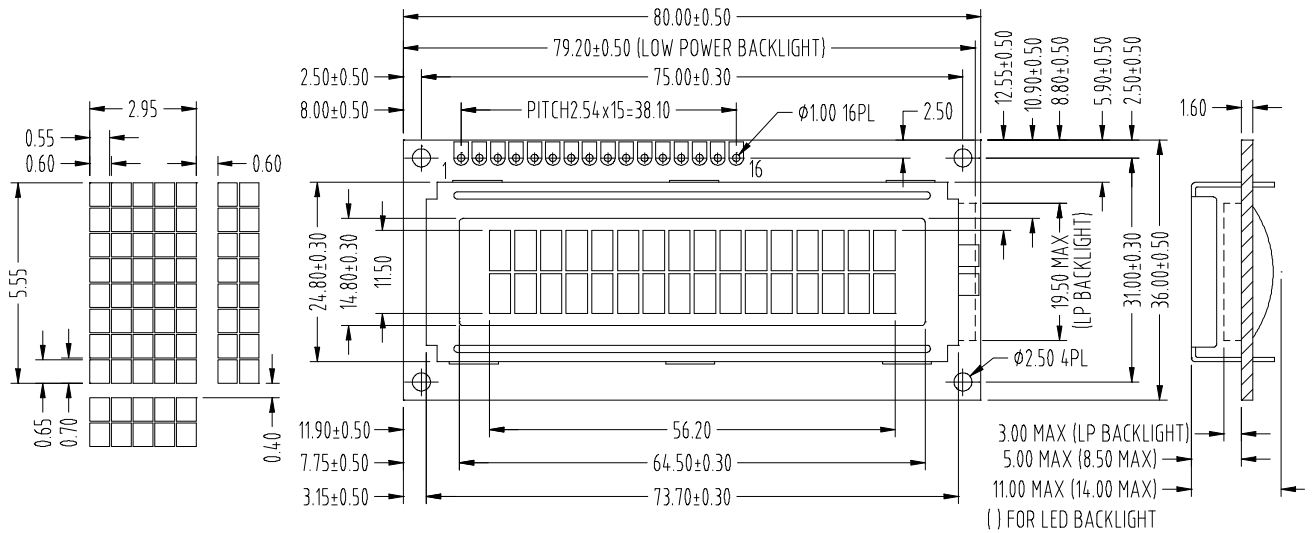


■ PHYSICAL DATA

Item	Contents	Unit
LCD type	TN / STN / FSTN	---
LCD duty	1/16	---
LCD bias	1/5	---
Viewing direction	6 / 12	o'clock
Module size (W×H×T)	80.0 × 36.0 × 11.0 MAX (14.0 MAX W/LED BACKLIGHT)	mm
Viewing area (W×H)	64.5 × 14.8	mm
Number of characters (characters×lines)	16 × 2	---
Character matrix (W×H)	5 × 8	dots
Character size (W×H)	2.95 × 5.55	mm
Dot size (W×H)	0.55 × 0.65	mm
Dot pitch (W×H)	0.60 × 0.70	mm

■ EXTERNAL DIMENSIONS



■ BLOCK DIAGRAM

